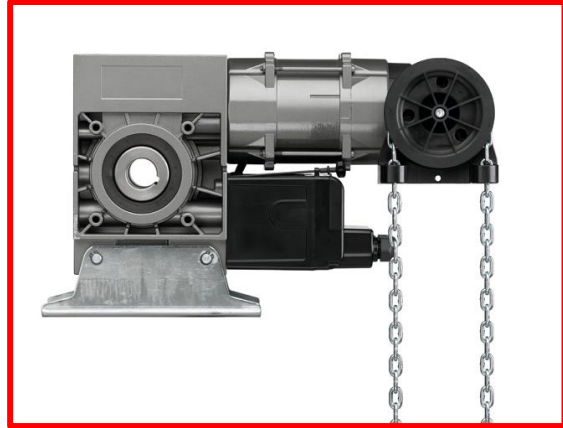
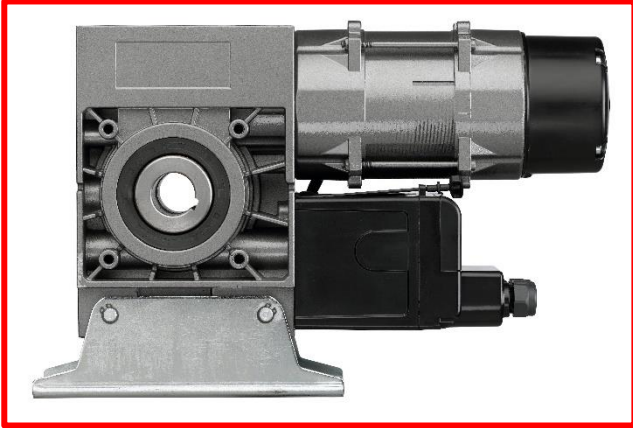


MDF20-15-12HD

Direct Drive 380V Automation for Sprung Roller Shutters



DIRECT DRIVE
Quality High Use Automation
For Spring Balanced Roller Shutters

FEATURES	
•	High Use (HD)
•	Integrated Limit Switches
•	Crank or Chain Manual Override Options
•	Integrated Safety Catch
•	Robust, Strong & Durable
•	Wide Range of Control Options
•	3 Phase 380V
•	Thermal Overload Protection
•	Higher Torque Models available up to 2000 Nm
SPECIFICATIONS	
VOLTAGE	380V AC @ 50 Hz (Three Phase)
CURRENT INPUT	1.8 A
TORQUE	150 Nm
MOTOR OUTPUT	0.55 KW
SPEED	24 Rpm
DUTY CYCLE	30 operations / Hour (Dependent on door size)
SHAFT DIAMETER	30 mm (8mm keyway)
PROTECTION	IP54
DIMENSIONS	438 x 136 x 317mm
WEIGHT	19 Kg

(The Company reserves the right to amend product specifications and information without notice.)

PLEASE CONTACT OUR SALES TEAM +(27) 31 700 8260 for further information.

PART OF THE MARANTEC COMPANY GROUP
OPENING DOORS IN SOUTH AFRICA

PROUD SUPPORTERS AND SUPPLIERS OF

