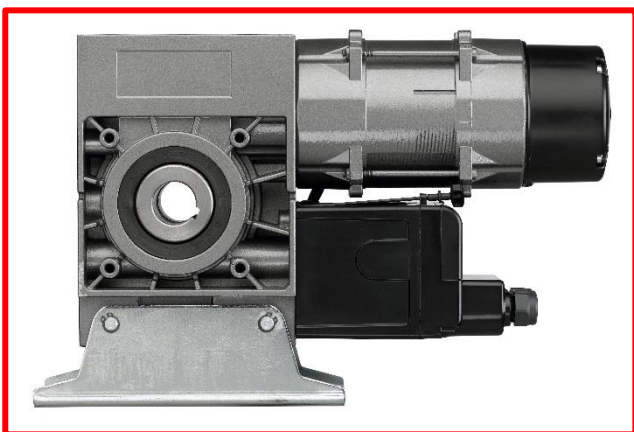


MDF20-22-12

Direct Drive 380V Automation for Sprung Roller Shutters



DIRECT DRIVE
Quality Automation
For Spring Balanced Roller Shutters

FEATURES

- Integrated Limit Switches
- Crank or Chain Manual Override Options
- Integrated Safety Catch
- Robust, Strong & Durable
- Wide Range of Control Options
- 3 Phase 380V
- Thermal Overload Protection
- Higher Torque Models available up to 2000 Nm

SPECIFICATIONS

VOLTAGE	380V AC @ 50 Hz (Three Phase)
CURRENT INPUT	2.8 A
TORQUE	220 Nm
MOTOR OUTPUT	0.75 KW
SPEED	12 Rpm
DUTY CYCLE	20 operations / Hour (Dependent on door size)
SHAFT DIAMETER	30 mm (8mm keyway)
PROTECTION	IP54
DIMENSIONS	421 x 114 x 267mm
WEIGHT	19 Kg

(The Company reserves the right to amend product specifications and information without notice.)

PLEASE CONTACT OUR SALES TEAM for further information.

PART OF THE MARANTEC COMPANY GROUP - OPENING DOORS IN SOUTHERN AFRICA

PROUD SUPPORTERS AND SUPPLIERS OF:

