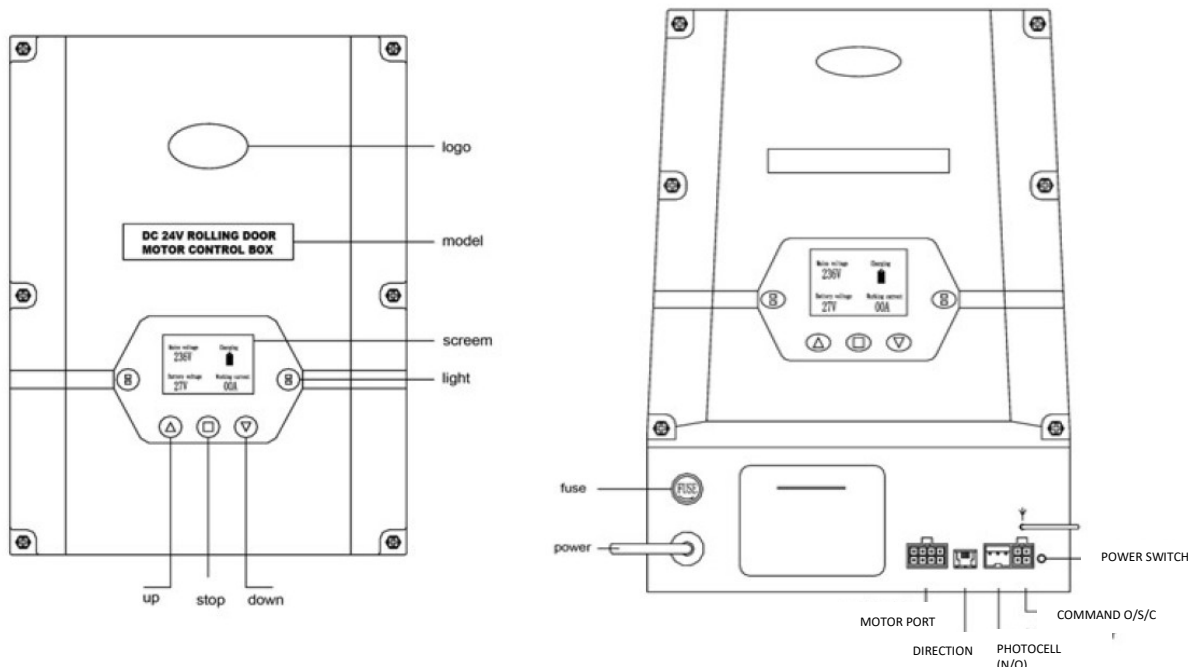


ECONO DRIVE 500DC / 750DC INSTRUCTIONS



LABELS

MOTOR PORT	-	Terminal for motors cable loom.
DIRECTION	-	Changes motor direction for Open & Close commands
PHOTOCELL	-	USED WITH DC INTERFACE MODULE **
COMMAND O/S/C	-	USED WITH DC INTERFACE MODULE **
POWER SWITCH	-	Power Switch for control box (On/ Off)

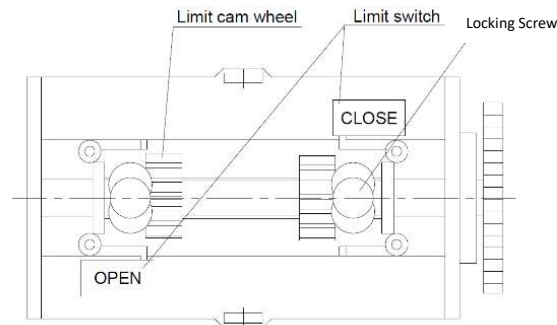
LCD DISPLAY



SETTING TRAVEL LIMITS

- Drive the door to the full OPEN position by using the emergency hand chain.
- Loosed both the Locking screw on the cam. Rotate the thumb-wheel so the cam may activate the limit switch for full OPEN position. Tighten Locking Screw.
- Drive the door to the door CLOSED position by using the emergency hand chain. Rotate the thumb-wheel so the available cam may activate the CLOSED position limit switch. Tighten Locking Screw
- Move the door to the half open position via the hand chain.
- Operate the motor via the direct buttons on the control box, to verify that the direct of movement is the same as the command given.
- Toggle the direction switch on the bottom face of the controller, to change motor direction to suit command buttons.
- Fine adjust the cam positions if necessary.

LIMIT ASSEMBLY

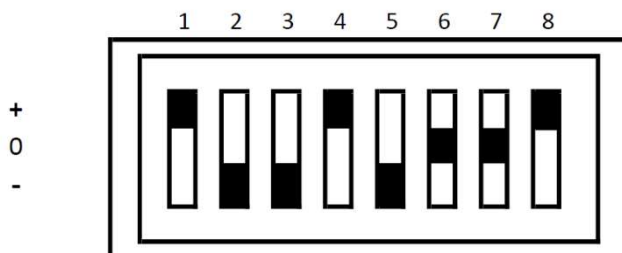


CODING REMOTES:

Each remote transmitter has a bank of dipswitches inside, numbered 1 to 8. A code may be set on the remote transmitter by adjusting the position of each switch, to either **+** or **0** or **-**. (as shown in the figure below).

Note: A random switch combination must be set.

Leaving all 8 switches in the identical position, would leave your unit vulnerable to unauthorised access.



CHANGING REMOTE CODES

Should you wish to change the code which is being transmitted, one or more of the switch positions must be changed to create a new code.

It is recommended that remotes for a particular door, should all have identical codes. Each controller can store up to 2 random transmitter codes.

PROGRAMMING IN REMOTES

- Unplug the motor cable loom from the bottom of the control box.
- Press and hold the **OPEN ▲** & **CLOSE ▼** button simultaneously for 3 seconds to initiate programming mode.
- Press a direction button on 1 of your remote transmitters. The controller will beep & lights will flash 3 times.
- The remotes has now been programmed in.
- Reconnect the motor cable loom onto the control box.
- Activate a direction button to test the remote function.
- Additional remotes for that door need to be coded with identical switch positions.

DELETING REMOTE CODES

- Press & Hold the the **OPEN ▲** & **CLOSE ▼** simultaneously the buttons on the Controller, for 10 seconds.
- The controller will respond with 1 long beep.
- Code has now been deleted.

SPECIFICATION:

	500DC	750DC
SUPPLY VOLTAGE:	220V- 230VAC 1PH	
SUPPLY CURRENT:	0.8A	1.2A
CONTROL VOLTAGE:	24VDC	
BATTERY:	12V 4.5AH x2	
GREY CONTROL BOX:	(BATTERY OPERATED)	
FUSES:	5A supply voltage 15A battery	
DIMENSIONS:	280 x200 x 85mm	
MASS:	4.95kgs	
IP RATING:	IP20	IP20
WHITE LCD CONTROL BOX:	(BATTERY BACKED)	
FUSES:	5A supply voltage 30A Battery (blade fuse)	
DIMENSIONS	290 x 210 x 80mm	
MASS:	7kgs	
IP RATING:	IP20	IP20
MOTOR		
MOTOR VOLTAGE:	24VDC	
POWER:	185W	190W
MOTOR DIMENSIONS:	390 x 180mm	435 x 180mm
MASS- MOTOR ONLY:	10.5kgs	12kgs
IP RATING:	IP20	
REMOTE SYSTEM:	8 Bit Trinary, 433mhz	
PACKAGED MASS	17.70kgs	19.10kgs
BOX DIMENSIONS	452 X 349 X 263mm	

CONTACT:

Durban Tel: +27 31 700 8260
16-18 Monte Carlo Rd
Mahogany Ridge, Westmead
Durban.

Gauteng Tel: +27 11 205 0082
Unit , Allandale Business park
Cnr. Le Roux & Morkel Close
Halfway House, Midrand.